

COMBi-STE 5000-8000

The multi-directional, electric, stand-on forklift designed for the safe, space saving and productive handling of long and bulky loads.

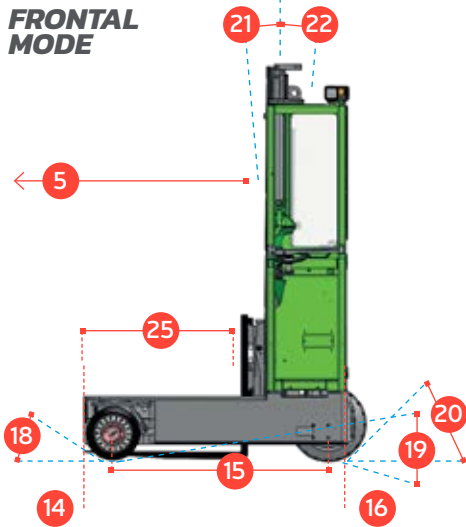
COMBiLiFT

LIFTING INNOVATION

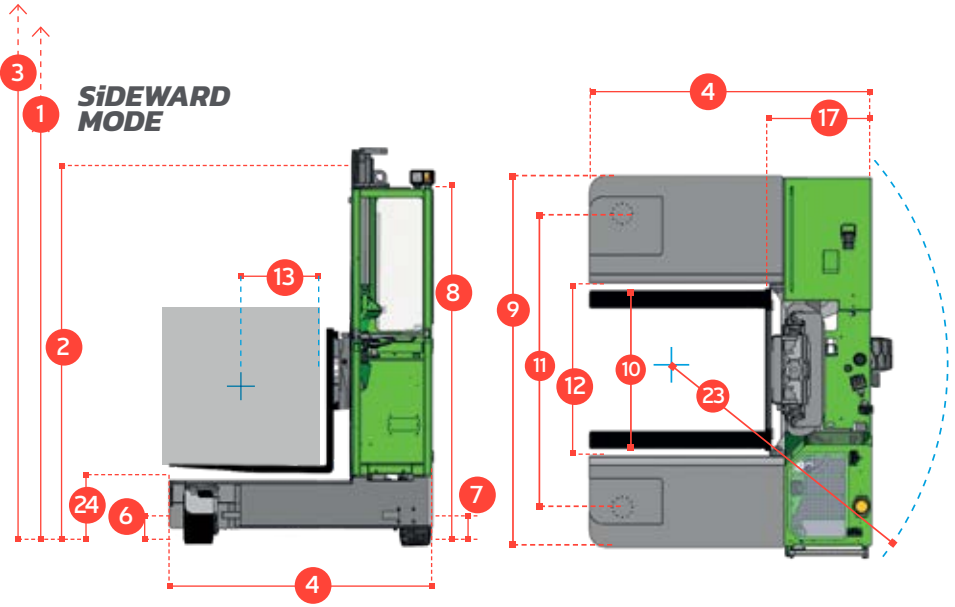


COMBI-STE 5000-8000

FRONTAL MODE



SI DEWARD MODE



REF.	DESCRIPTION	C5000	C6000	C8000
1a	Max. Lift Height		159"	
1b	Freelift Height		0"	
2	Height Mast Closed		111½"	
3	Max. (Mast raised)		204"	
4	Overall Length	78¾"		82½"
5	Mast Travel		51"	
6	Ground Clearance Under Mast		9"	
7	Ground Clearance to Wheelbase		6"	
8	Height Over Cab (without work lights)		107½"	
9	Platform Width	104"		114¾"
10	Outside Spread of Fork Arms	45¼"		53"
11	Track Front	82"		90¾"
12	Frame Opening	48½"		59"
13	Load Center Distance		23½"	
14	Overhang Front		9¼"	
15	Wheelbase	62¼"		68"
16	Overhang Back		5¼"	
17	Length From Face of Fork	31½"		35½"
18	Approach Angle		45°	
19	Ramp Angle		17°	
20	Departure Angle		45°	
21	Forward Tilt		4°	
22	Backward Tilt		4°	
23	Minimum Outside Radius	73½"		78¾"
24	Platform Height		19"	
25	Platform Length		47¼"	
A	Capacity	5000 lbs	6000 lbs	8000 lbs
B	Unladen Weight	14,010 lbs	14,220 lbs	14,661 lbs
C	Maximum Ground Speed		6¼ mph	
D	Gradeability		10%	
E	Battery Capacity		72 V / 500 Ah	
F	Fork Section		2" x 5" x 47¼"	2" x 6" x 47¼"
G	16 / 12 - 10 Front Tire (Solid)		OD 16" / Width 10"	
H	23 x 10 - 12 Rear Tire (Super Elastic)		OD 22" / Width 8"	
I	Standard Color		Green & Gray	
J	AC Electric Traction Motor x 2		72 V / 5 kW	
K	AC Electric Pump Motor		72 V / 19 kW	

Multi-Directional



Features Include:

- Rubber Mounted Cabin
- Multi-Direction Operation
- AC Motor Technology
- Load Sensing Steering
- 2 Wheel Electric Drive
- Stand-up Operator
- (Sit Down Cabin Option Available)

Distributed by:

PCT Patent Application No. PCT/EP2014/053066; UK Patent Application No. GB1302811.3

COMBILIFT HAS A POLICY OF CONTINUOUS PRODUCT DEVELOPMENT AND RESERVES THE RIGHT TO ALTER SPECIFICATIONS WITHOUT PRIOR NOTICE. SPECIFICATIONS AND/OR DIMENSIONS MAY VARY FROM THOSE ILLUSTRATED IN SOME COUNTRIES.

303 CONCORD STREET,
GREENSBORO,
NORTH CAROLINA 27406

TOLL FREE: 1-877 COMBI 56
TEL: 336-378-8884
INFO@COMBILIFT.COM

combilift.com