



# MX-1600

- 12 mph (19 km/h) speed
- 110 in (279 cm) turning radius
- 1,000 lb (454 kg) load capacity



## MOBILIZING YOUR MAINTENANCE PERSONNEL



Taylor-Dunn's MX-1600 provides a mobile workshop for maintenance workers thus improving repair and productivity by reducing travel time to the service site.

The MX-1600 Maintenance Expediter's standard features include lockable 5-drawer tool chest, work bench, vise, ladder rack, weld tank compartment, lockable storage cabinets, battery status indicator, automotive steering, built-in charger, head/tail/brake lights, reverse buzzer and electric horn.

Optional equipment available to customize your vehicle are fiberglass cab, removable vinyl doors, strobe light, side view mirrors and various hitches.

Visit our website for images, videos, information, and custom modification ideas at [taylor-dunn.com](http://taylor-dunn.com).

<b>VOLTAGE</b>	36 volt	
<b>SPEED</b>	12 mph	19 km/h
<b>RANGE</b>	up to 20 mi	up to 32 km
<b>TURNING RADIUS</b>	110 in	279 cm
<b>LOAD CAPACITY</b>	1,000 lb	454 kg
<b>TOW CAPACITY</b>	7,500 lb	3,400 kg

\* Based on Standard Configuration Actual towing capacity is dependent on application, vehicle configuration, ballast weight, and operating environment.  
Note: Photos are shown with optional features.

### FEATURES & BENEFITS:

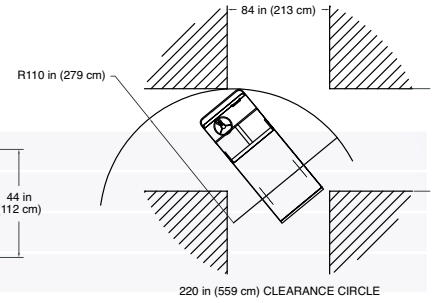
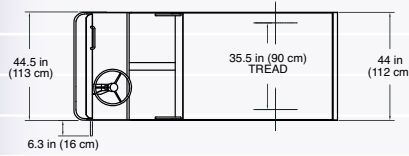
- Increases maintenance productivity
- Improves plant safety
- Increases labor utilization
- Reduces equipment downtime



# MAINTENANCE EXPEDITER

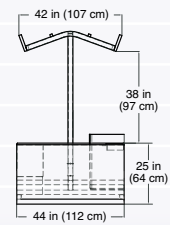
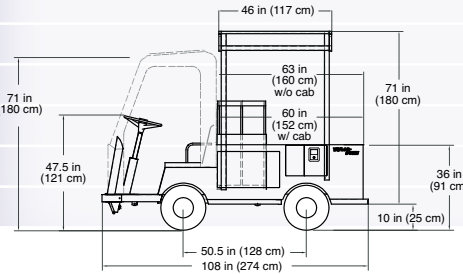
## PERFORMANCE

<b>LOAD CAPACITY</b>	1,000 lb (454 kg)
<b>TOW CAPACITY</b>	7,500 lb (3400 kg)
<b>MAX SPEED</b>	12 mph (19 km/h)
<b>TURNING RADIUS</b>	110 in (279 cm)



## DIMENSIONS

<b>OVERALL LENGTH</b>	108 in (274 cm)
<b>OVERALL WIDTH</b>	44 in (112 cm)
<b>HEIGHT</b>	81 in (206 cm)
<b>DECK HEIGHT</b>	36 in (91 cm)
<b>WHEEL BASE</b>	50.5 in (128 cm)
<b>DECK SIZE</b>	44x63 in (112x160 cm)



## POWER SUPPLY / DRIVE TRAIN

<b>MOTOR</b>	36V, DC, Series Wound, 6 hp
<b>SYSTEM VOLTAGE</b>	36V DC
<b>TRANSMISSION</b>	Transaxle assembly, sealed helical gear reduction
<b>BATTERIES</b>	6V, 210 amp-hour, lead acid
<b>CHARGER</b>	Built-in, 36V, 1 kW, 110 VAC, with interlock
<b>CONTROLLER</b>	275 amp, 36 volt, solid state speed controller
<b>WIRING</b>	Modular harness design, weather protected connectors

## CHASSIS

<b>FRAME</b>	Heavy duty 14 gauge, smooth skin, unitized steel body, 5-drawer steel lockable tool chest, weld tank compartment, lockable storage cabinets, ladder rack, work bench and vise
<b>STEERING</b>	Automotive style
<b>DRIVE AXLE</b>	Direct drive
<b>SUSPENSION</b>	Front and rear leaf springs
<b>BRAKES</b>	Mechanical rear drum, hand-operated parking brake
<b>TIRES</b>	5.70 x 8 load range C

## GENERAL

<b>UNIT WEIGHT</b>	1,420 lb (644 kg)
<b>SEAT</b>	Dual seat cushion with full back rest, Black vinyl, driver's seat electrical interlock switch
<b>INSTRUMENTATION</b>	Battery status indicator, forward/reverse selector, key switch, reverse buzzer, electric horn
<b>LIGHT ACCESSORIES</b>	Headlight, tail light and brake light
<b>CONFORMANCE</b>	Type E OSHA 1910.178, ANSI B56.8

## OPTIONS

- HOUR METER
- STAKE SIDES
- MOTION ALARM
- STROBE LIGHT
- FRONT BUMPER
- SIDE VIEW MIRRORS
- HYDRAULIC BRAKES
- WINDSHIELD WIPER
- FIBERGLASS CAB
- DIAMOND PLATE DECK
- 225 OR 260 AMP BATTERIES
- BATTERY WATERING SYSTEM
- UNDERCOATING / GALVANIZING
- REMOVABLE VINYL DOORS
- OPTIONAL PAINT COLORS
- SOFT SOLID TIRES
- PNEUMATIC TIRES
- NON-MARKING TIRES
- VARIOUS HITCHES
- KEYED UNLIKE

Specifications, standard equipment, accessories and modifications are subject to change without notice.