

COMBi-4WSL **10,000-12,000**

The 4 wheel Sideloader forklift designed for the safe, space saving and productive handling of long and bulky loads.

COMBiLiFT

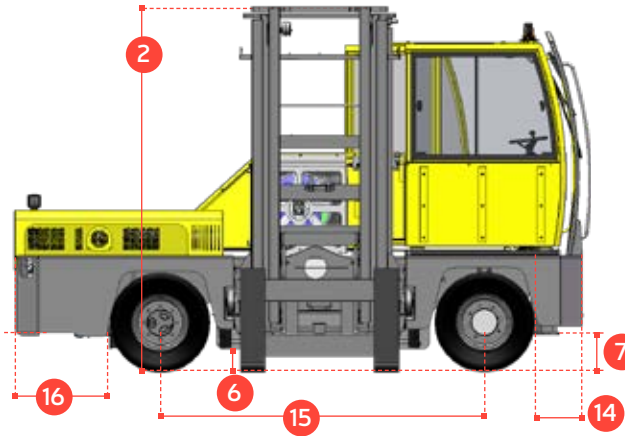
LIFTING INNOVATION



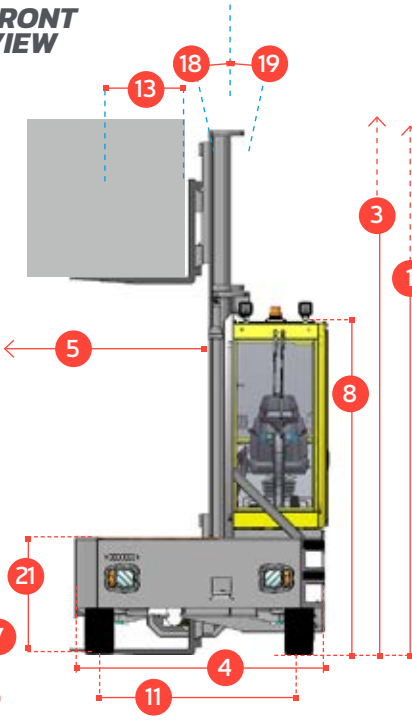
COMBI-4WSL

10,000-12,000

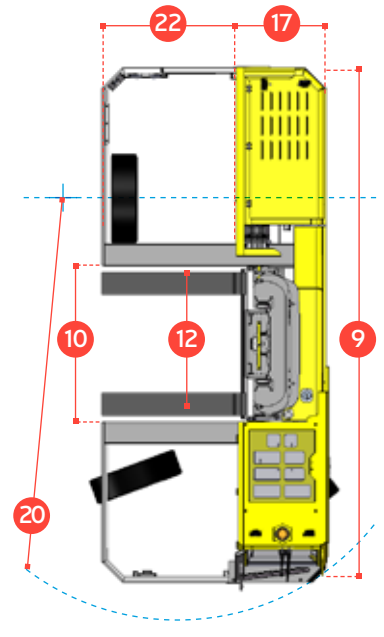
SIDE VIEW



FRONT VIEW



OVERHEAD VIEW



REF.	DESCRIPTION	10,000 4WSL	12,000 4WSL
1a	Max. Lift Height		159"
1b	Freelift Height		0"
2	Height Mast Closed		119½"
3	Max. (Mast raised)		203"
4	Overall Width	79"	86"
5	Mast Travel	49"	57"
6	Ground Clearance Under Mast		12"
7	Ground Clearance to Center of Wheelbase		16"
8	Height Over Cab (Without work lights)		107"
9	Length	179½"	182¼"
10	Frame Opening		55"
11	Track		63¼"
12	Outside Spread of Fork Arms		50¾"
13	Load Center Distance		23½"
14	Overhang Front		15¼"
15	Wheelbase		104¾"
16	Overhang Back		31½"
17	Length From Face of Fork		31½"
18	Forward Tilt		3°
19	Backward Tilt		5°
20	Minimum Outside Radius		165"
21	Platform Height		37½"
22	Platform Length	47"	55"
A	Capacity	10,000 lbs	12,000 lbs
B	Unladen Weight	16,530 lbs	16,975 lbs
C	Maximum Ground Speed		16 mph
D	Gradeability		15%
E	Deutz TCD 3.6 / 4.3 ltr GM LPG		76 HP/ 100 HP
F	Electrics		12 Volt
G	Fork Section 2" x 7¾" x	47"	55"
H	Pneumatic / Super Elastic Front Tire	8.25 - 15	300 - 15
I	Standard Color		Yellow & Gray
J	Suspension Seat		KAB Model 116



Features Include:

- Hydraulic Suspended Cabin
- Wet Disc Brakes
- 2 Wheel Drive
- Load Sensing Steering
- Tilting Chassis
- Hydraulic Oil Cooler

Distributed by:

COMBILIFT HAS A POLICY OF CONTINUOUS PRODUCT DEVELOPMENT AND RESERVES THE RIGHT TO ALTER SPECIFICATIONS WITHOUT PRIOR NOTICE. SPECIFICATIONS AND/OR DIMENSIONS MAY VARY FROM THOSE ILLUSTRATED IN SOME COUNTRIES.

303 CONCORD STREET,
GREENSBORO,
NORTH CAROLINA 27406

TOLL FREE: 1-877 COMBI 56
TEL: 336-378-8884
INFO@COMBILIFT.COM

combilift.com