

GDP190-280DF

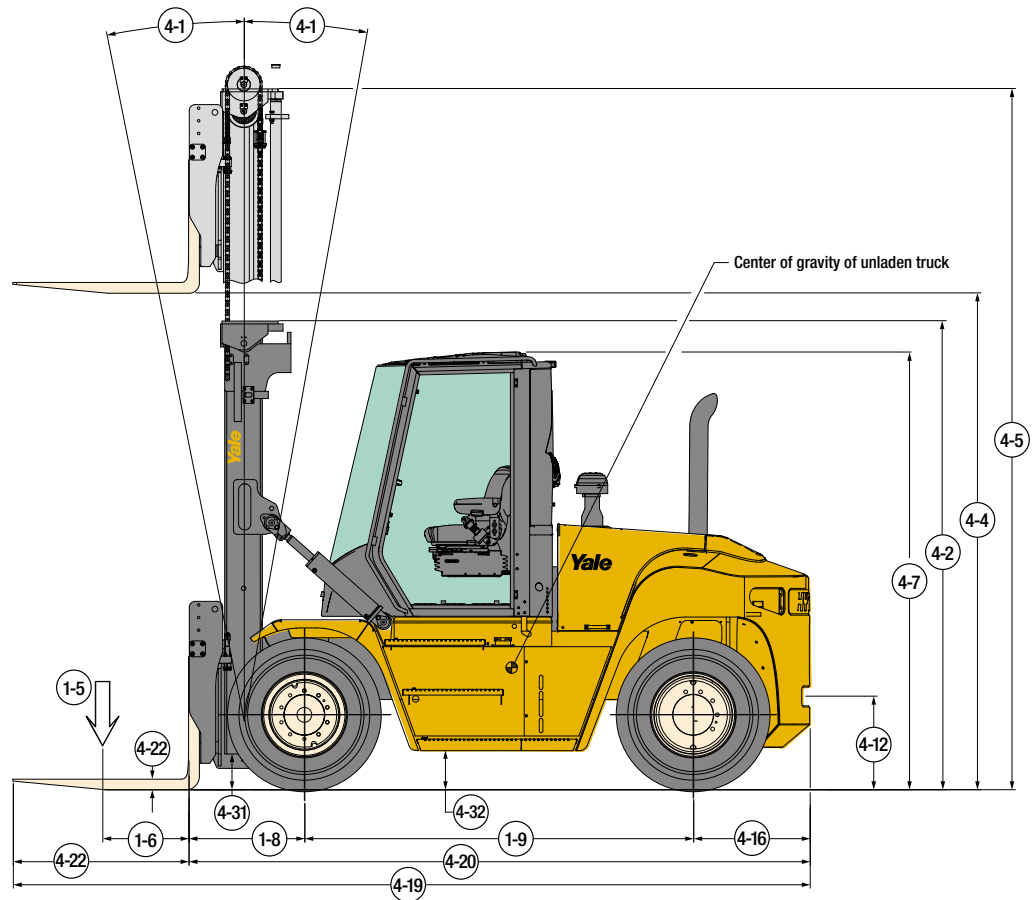
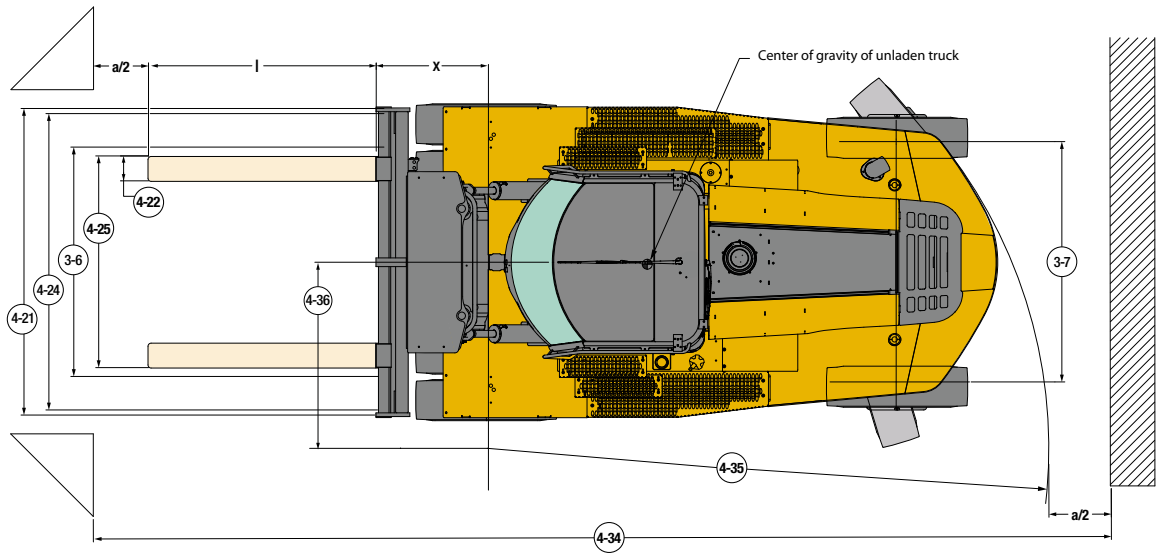
Counterbalanced Forklift Trucks

19,000 / 21,000 / 23,000 / 25,000 / 28,000 lb

- Optimal productivity with low fuel consumption
- Outstanding maneuverability to meet the demands of tough application in lumber, concrete and heavy cargo industries
- Designed for versatility with multiple attachments including tire handlers, paper roll clamps and concrete clamps



Truck Dimensions



General Specifications GDP190DF / GDP210DF

				Yale				Yale					
				GDP190DF				GDP210DF					
GENERAL	1-1	Manufacturer											
	1-2	Model designation											
	1-3	Powertrain / drivetrain		Diesel				Diesel					
	1-4	Operator type		Seated				Seated					
	1-5	Rated capacity / rated load	Q	lb	kg	19,000	8,618	21,000	9,526				
	1-6	Load center distance	c ₁	in	mm	24	610	24	610				
	1-8	Load distance	x	in	mm	31.7	804	31.7	804				
	1-9	Wheelbase	y	in	mm	106	2,700	106	2,700				
	WT.	2-1	Service weight		lb	kg	28,167	12,776	29,478	13,371			
2-2		Axle loading with load, front / rear		lb	kg	43,492	19,728	3,675	1,667	46,377	21,036	4,101	1,860
2-3		Axle loading without load, front / rear		lb	kg	14,544	6,597	13,622	6,179	14,382	6,524	15,096	6,847
WHEELS	3-1	Tire type		Pneumatic				Pneumatic					
	3-2	Tire size, front		10.00-20 16PR				10.00-20 16PR					
	3-3	Tire size, rear		10.00-20 16PR				10.00-20 16PR					
	3-5	Wheels, number front / rear (x = driven wheels)		x4 / 2				x4 / 2					
	3-6	Tread, front	b ₁₀	in	mm	72.5	1,842	72.5	1,842				
	3-7	Tread, rear	b ₁₁	in	mm	76.0	1,930	76.0	1,930				
	DIMENSIONS	4-1	Mast tilt, forward / backward		α/β	deg	deg	15° / 12°		15° / 12°			
4-2		Height, mast lowered		h ₁	in	mm	129	3,257	129	3,257			
4-3		Free lift (top of forks)		h ₂	in	mm	0	0	0	0			
4-4		Lift (top of forks)		h ₃	in	mm	147	3,750	147	3,750			
4-5		Height, mast extended		h ₄	in	mm	201	5,094	201	5,094			
4-7		Height of overhead guard (open cab)		h ₆	in	mm	118.7	3,015	118.7	3,015			
4-7-1		Height of overhead guard (closed cab)		h ₆	in	mm	119.8	3,043	119.8	3,043			
4-7-2		Height of overhead guard (closed cab w/ air cond.)		h ₆	in	mm	119.8	3,043	119.8	3,043			
4-7-3		Height of overhead guard (closed cab w/ strobe light)		h ₆	in	mm	123.5	3,137	123.5	3,137			
4-7-4		Height of overhead guard (closed cab w/ work lights)		h ₆	in	mm	125.6	3,190	125.6	3,190			
4-7-5		Height of overhead guard (closed cab w/ air cond. & strobe light)		h ₆	in	mm	124.7	3,167	124.7	3,167			
4-8		Seat height to seat point index		h ₇	in	mm	72.2	1,834	72.2	1,834			
4-19		Overall length		l ₁	in	mm	218	5,533	218	5,533			
4-20		Length to face of forks		l ₂	in	mm	170	4,313	170	4,313			
4-21		Overall width		b ₂	in	mm	97	2,464	97	2,464			
4-22		Fork dimensions ISO 2331		s/e/l	in	mm	3 / 8 / 48	75 / 200 / 1,220	3 / 8 / 48	75 / 200 / 1,220			
4-23		Fork carriage type		Standard pin type carriage				Standard pin type carriage					
4-24		Fork carriage width		b ₃	in	mm	94.3	2,396	94.3	2,396			
4-25-1		Distance between fork-arms, minimum (in-in)		b ₅	in	mm	2.8	70	2.8	70			
4-25-2		Distance between fork-arms, maximum (out-out)		b ₅	in	mm	91.3	2,320	91.3	2,320			
4-30		Sideshift		b ₈	in	mm	0	0	0	0			
4-31		Ground clearance, with load, below mast		m ₁	in	mm	10	250	10	250			
4-32		Ground clearance, center of wheelbase		m ₂	in	mm	11	273	11	273			
4-34		Min. aisle width, (add load length and clearance)		Ast	in	mm	186	4,730	186	4,730			
4-35		Outside turning radius		W _a	in	mm	155	3,926	155	3,926			
PERFORMANCE	PERFORMANCE			CUMMINS QSB 4.5 TIER 4F ENGINE									
	5-1	Travel speed, with / without load (1)		mph	km/h	18.5	30	19.3	31	18.5	30	19.3	31
	5-1-1	Travel speed, with load locked / without load		mph	km/h	On request		On request		On request		On request	
	5-2	Lifting speed, with / without load 90cc pump		ft/min	m/s	89	0.45	89	0.45	89	0.45	89	0.45
	5-2-1	Lifting speed, with / without load 111cc pump		ft/min	m/s	124	0.63	132	0.67	124	0.63	132	0.67
	5-3	Lowering speed with / without load		ft/min	m/s	98	0.50	94	0.48	98	0.50	94	0.48
	5-5	Drawbar pull - 1 mph 1.6 km/h, with / without load		lb	kN	21,700	101	22,400	102	21,500	101	22,300	102
	5-6	Drawbar pull - stall, with / without load		lb	kN	24,300	112	25,000	114	24,100	112	24,900	114
	5-7	Gradeability - 1 mph 1.6 km/h, with / without load		%	%	51	51	33	33	49	49	32	32
	5-8	Gradeability - stall, with / without load		%	%	51	51	33	33	51	51	32	32
	PERFORMANCE			CUMMINS QSB 6.7TIER 3 ENGINE									
	5-1	Travel speed, with / without load (1)		mph	km/h	18.5	30	19.3	31	18.5	30	19.3	31
	5-1-1	Travel speed, with load locked / without load		mph	km/h	On request		On request		On request		On request	
	5-2	Lifting speed, with / without load 90cc pump		ft/min	m/s	89	0.45	89	0.45	89	0.45	89	0.45
	5-2-1	Lifting speed, with / without load 111cc pump		ft/min	m/s	118	0.60	132	0.67	118	0.6	132	0.67
	5-3	Lowering speed with / without load		ft/min	m/s	98	0.50	94	0.48	98	0.50	94	0.48
	5-5	Drawbar pull - 1 mph 1.6 km/h, with / without load		lb	kN	20,500	96	21,100	97	20,400	95	21,200	97
	5-6	Drawbar pull - stall, with / without load		lb	kN	22,800	106	23,600	108	22,700	106	23,500	107
	5-7	Gradeability - 1 mph 1.6 km/h, with / without load		%	%	51	51	33	33	46	46	32	32
	5-8	Gradeability - stall, with / without load		%	%	51	51	33	33	51	51	32	32

General Specifications GDP230DFS / GDP230DF

					Yale				Yale				
					GDP230DFS				GDP230DF				
GENERAL	1-1	Manufacturer											
	1-2	Model designation											
	1-3	Powertrain / drivetrain											
	1-4	Operator type											
	1-5	Rated capacity / rated load	Q	lb	kg	23,000		10,433		23,000		10,433	
	1-6	Load center distance	c ₁	in	mm	24		610		24		610	
	1-8	Load distance	x	in	mm	31.7		804		31.7		804	
	1-9	Wheelbase	y	in	mm	106		2,700		114		2,900	
	2-1	Service weight		lb	kg	31,621		14,343		30,767		13,956	
WT.	2-2	Axle loading with load, front / rear		lb	kg	49,993	22,677	4,628	2,099	49,484	22,445	4,283	1,943
	2-3	Axle loading without load, front / rear		lb	kg	14,952	6,782	16,669	7,561	15,273	6,928	15,494	7,028
WHEELS	3-1	Tire type				Pneumatic				Pneumatic			
	3-2	Tire size, front				10.00-20 16PR				10.00-20 16PR			
	3-3	Tire size, rear				10.00-20 16PR				10.00-20 16PR			
	3-5	Wheels, number front / rear (x = driven wheels)				x4 / 2				x4 / 2			
	3-6	Tread, front	b ₁₀	in	mm	72.5		1,842		72.5		1,842	
	3-7	Tread, rear	b ₁₁	in	mm	76.0		1,930		76.0		1,930	
	DIMENSIONS	4-1	Mast tilt, forward / backward	α/β	deg	deg	15° / 12°				15° / 12°		
4-2		Height, mast lowered	h ₁	in	mm	138		3,507		138		3,507	
4-3		Free lift (top of forks)	h ₂	in	mm	0		0		0		0	
4-4		Lift (top of forks)	h ₃	in	mm	147		3,750		147		3,750	
4-5		Height, mast extended	h ₄	in	mm	211		5,344		211		5,344	
4-7		Height of overhead guard (open cab)	h ₆	in	mm	118.7		3,015		118.7		3,015	
4-7-1		Height of overhead guard (closed cab)	h ₆	in	mm	119.8		3,043		119.8		3,043	
4-7-2		Height of overhead guard (closed cab w/ air cond.)	h ₆	in	mm	119.8		3,043		119.8		3,043	
4-7-3		Height of overhead guard (closed cab w/ strobe light)	h ₆	in	mm	123.5		3,137		123.5		3,137	
4-7-4		Height of overhead guard (closed cab w/ work lights)	h ₆	in	mm	125.6		3,190		125.6		3,190	
4-7-5		Height of overhead guard (closed cab w/ air cond. & strobe light)	h ₆	in	mm	124.7		3,167		124.7		3,167	
4-8		Seat height to seat point index	h ₇	in	mm	72.2		1,834		72.2		1,834	
4-19		Overall length	l ₁	in	mm	218		5,533		226		5,733	
4-20		Length to face of forks	l ₂	in	mm	170		4,313		178		4,513	
4-21		Overall width	b ₂	in	mm	97		2,464		97		2,464	
4-22		Fork dimensions ISO 2331	s/e/l	in	mm	3 / 8 / 48		75 / 200 / 1,220		3 / 8 / 48		75 / 200 / 1,220	
4-23		Fork carriage type				Standard pin type carriage				Standard pin type carriage			
4-24		Fork carriage width	b ₃	in	mm	94.3		2,396		94.3		2,396	
4-25-1		Distance between fork-arms, minimum (in-in)	b ₅	in	mm	2.8		70		2.8		70	
4-25-2		Distance between fork-arms, maximum (out-out)	b ₅	in	mm	91.3		2,320		91.3		2,320	
4-30		Sideshift	b ₈	in	mm	0		0		0		0	
4-31	Ground clearance, with load, below mast	m ₁	in	mm	10		250		10		250		
4-32	Ground clearance, center of wheelbase	m ₂	in	mm	11		273		11		273		
4-34	Min. aisle width (add load length and clearance)	Ast	in	mm	186		4,730		194		4,915		
4-35	Outside turning radius	W _g	in	mm	155		3,926		162		4,111		
PERFORMANCE	PERFORMANCE		CUMMINS QSB6.7 TIER 4F ENGINE										
	5-1	Travel speed, with / without load (1)		mph	km/h	18.5	30	19.3	31	18.5	30	19.3	31
	5-1-1	Travel speed, with load locked / without load		mph	km/h	On request		On request		On request		On request	
	5-2	Lifting speed, with / without load 90cc pump		ft/min	m/s	79	0.40	79	0.40	79	0.40	79	0.40
	5-2-1	Lifting speed, with / without load 111cc pump		ft/min	m/s	98	0.50	106	0.54	98	0.50	106	0.54
	5-3	Lowering speed with / without load		ft/min	m/s	98	0.50	94	0.48	98	0.50	94	0.48
	5-5	Drawbar pull - 1 mph 1.6 km/h, with / without load		lb	kN	21,300	100	22,200	102	21,400	100	22,300	102
	5-6	Drawbar pull - stall, with / without load		lb	kN	24,000	112	24,800	114	24,000	112	24,900	114
	5-7	Gradeability - 1 mph 1.6 km/h, with / without load		%	%	44	44	31	31	45	45	33	33
	5-8	Gradeability - stall, with / without load		%	%	51	51	31	31	52	52	33	33
	PERFORMANCE		CUMMINS QSB6.7 TIER 3 ENGINE										
	5-1	Travel speed, with / without load (1)		mph	km/h	18.5	30	19.3	31	18.5	30	19.3	31
	5-1-1	Travel speed, with load locked / without load		mph	km/h	On request		On request		On request		On request	
	5-2	Lifting speed, with / without load 90cc pump		ft/min	m/s	79	0.40	79	0.40	79	0.4	79	0.4
	5-2-1	Lifting speed, with / without load 111cc pump		ft/min	m/s	93	0.47	106	0.54	93	0.47	106	0.54
	5-3	Lowering speed with / without load		ft/min	m/s	98	0.50	94	0.48	98	0.50	94	0.48
	5-5	Drawbar pull - 1 mph 1.6 km/h, with / without load		lb	kN	20,200	95	21,100	97	20,200	95	21,100	97
	5-6	Drawbar pull - stall, with / without load		lb	kN	22,500	105	23,400	107	22,600	105	23,400	107
	5-7	Gradeability - 1 mph 1.6 km/h, with / without load		%	%	41	41	31	31	45	45	33	33
	5-8	Gradeability - stall, with / without load		%	%	47	47	31	31	48	48	33	33

General Specifications GDP250DF / GDP280DF

				Yale				Yale					
				GDP250DF				GDP280DF					
GENERAL	1-1	Manufacturer				Diesel				Diesel			
	1-2	Model designation				Seated				Seated			
	1-3	Powertrain / drivetrain											
	1-4	Operator type											
	1-5	Rated capacity / rated load	Q	lb	kg	25,000	11,340	28,000	12,701				
	1-6	Load center distance	c ₁	in	mm	24	610	24	610				
	1-8	Load distance	x	in	mm	31.7	804	31.7	804				
	1-9	Wheelbase	y	in	mm	114	2,900	114	2,900				
	WT.	2-1	Service weight		lb	kg	31,770	14,411	33,534	15,211			
2-2		Axle loading with load, front / rear		lb	kg	52,348	23,745	4,423	2,006	56,607	25,667	4,926	2,234
2-3		Axle loading without load, front / rear		lb	kg	15,161	6,877	16,609	7,534	14,959	6,785	18,575	8,425
WHEELS	3-1	Tire type				Pneumatic				Pneumatic			
	3-2	Tire size, front				10.00-20 16PR				10.00-20 16PR			
	3-3	Tire size, rear				10.00-20 16PR				10.00-20 16PR			
	3-5	Wheels, number front / rear (x = driven wheels)				x4 / 2				x4 / 2			
	3-6	Tread, front	b ₁₀	in	mm	72.5	1,842	72.5	1,842				
	3-7	Tread, rear	b ₁₁	in	mm	76.0	1,930	76.0	1,930				
	DIMENSIONS	4-1	Mast tilt, forward / backward		α/β	deg	15° / 12°				15° / 12°		
4-2		Height, mast lowered		h ₁	in	mm	138	3,507	138	3,507			
4-3		Free lift (top of forks)		h ₂	in	mm	0	0	0	0			
4-4		Lift (top of forks)		h ₃	in	mm	147	3,750	147	3,750			
4-5		Height, mast extended		h ₄	in	mm	211	5,344	211	5,344			
4-7		Height of overhead guard (open cab)		h ₆	in	mm	118.7	3,015	118.7	3,015			
4-7-1		Height of overhead guard (closed cab)		h ₆	in	mm	119.8	3,043	119.8	3,043			
4-7-2		Height of overhead guard (closed cab w/ air cond.)		h ₆	in	mm	119.8	3,043	119.8	3,043			
4-7-3		Height of overhead guard (closed cab w/ strobe light)		h ₆	in	mm	123.5	3,137	123.5	3,137			
4-7-4		Height of overhead guard (closed cab w/ work lights)		h ₆	in	mm	125.6	3,190	125.6	3,190			
4-7-5		Height of overhead guard (closed cab w/ air cond. & strobe light)		h ₆	in	mm	124.7	3,167	124.7	3,167			
4-8		Seat height to seat point index		h ₇	in	mm	72.2	1,834	72.2	1,834			
4-19		Overall length		l ₁	in	mm	226	5,733	226	5,733			
4-20		Length to face of forks		l ₂	in	mm	178	4,513	178	4,513			
4-21		Overall width		b ₂	in	mm	97	2,464	97	2,464			
4-22		Fork dimensions ISO 2331		s/e/l	in	mm	3 / 8 / 48	75 / 200 / 1,220	3 / 8 / 48	75 / 200 / 1,220			
4-23		Fork carriage type				Standard pin type carriage				Standard pin type carriage			
4-24		Fork carriage width		b ₃	in	mm	94.3	2,396	94.3	2,396			
4-25-1		Distance between fork-arms, minimum (in-in)		b ₅	in	mm	2.8	70	2.8	70			
4-25-2		Distance between fork-arms, maximum (out-out)		b ₅	in	mm	91.3	2,320	91.3	2,320			
4-30		Sideshift		b ₈	in	mm	0	0	0	0			
4-31		Ground clearance, with load, below mast		m ₁	in	mm	10	250	10	250			
4-32		Ground clearance, center of wheelbase		m ₂	in	mm	11	273	11	273			
4-34		Min. aisle width (add load length and clearance)		Ast	in	mm	194	4,915	194	4,915			
4-35		Outside turning radius		W ₃	in	mm	162	4,111	162	4,111			
PERFORMANCE	PERFORMANCE			CUMMINS QSB6.7 TIER 4F ENGINE									
	5-1	Travel speed, with / without load (1)		mph	km/h	18.5	30	19.3	31	18.5	30	19.3	31
	5-1-1	Travel speed, with load locked / without load		mph	km/h	On request		On request		On request		On request	
	5-2	Lifting speed, with / without load 90cc pump		ft/min	m/s	79	0.40	79	0.40	79	0.40	79	0.40
	5-2-1	Lifting speed, with / without load 111cc pump		ft/min	m/s	98	0.50	106	0.54	98	0.50	106	0.54
	5-3	Lowering speed with / without load		ft/min	m/s	98	0.50	94	0.48	98	0.50	94	0.48
	5-5	Drawbar pull - 1 mph 1.6 km/h, with / without load		lb	kN	21,300	100	22,300	102	21,100	100	22,200	102
	5-6	Drawbar pull - stall, with / without load		lb	kN	23,900	112	24,900	114	23,700	111	24,800	113
	5-7	Gradeability - 1 mph 1.6 km/h, with / without load		%	%	43	43	30	30	39	39	36	36
	5-8	Gradeability - stall, with / without load		%	%	49	49	30	30	44	44	36	36
	PERFORMANCE			CUMMINS QSB6.7 TIER 3 ENGINE									
	5-1	Travel speed, with / without load (1)		mph	km/h	18.5	30	19.3	31	18.5	30	19.3	31
	5-1-1	Travel speed, with load locked / without load		mph	km/h	On request		On request		On request		On request	
	5-2	Lifting speed, with / without load 90cc pump		ft/min	m/s	79	0.40	79	0.40	79	0.40	79	0.40
	5-2-1	Lifting speed, with / without load 111cc pump		ft/min	m/s	93	0.47	106	0.54	93	0.47	106	0.54
	5-3	Lowering speed with / without load		ft/min	m/s	98	0.50	94	0.48	98	0.50	94	0.48
	5-5	Drawbar pull - 1 mph 1.6 km/h, with / without load		lb	kN	20,100	95	21,100	97	19,900	94	21,000	97
	5-6	Drawbar pull - stall, with / without load		lb	kN	22,500	105	23,400	107	22,300	105	23,300	107
	5-7	Gradeability - 1 mph 1.6 km/h, with / without load		%	%	41	41	30	30	36	36	36	36
	5-8	Gradeability - stall, with / without load		%	%	46	46	30	30	41	41	36	36

Powertrains

		Yale						
GENERAL	1-1	Manufacturer						
	1-2	Model designation	GDP190-280DF					
	1-3	Powertrain / drivetrain	Diesel					
ENGINE	7-1	Engine manufacturer / model	Cummins / QSB 6.7			Cummins / QSB 4.5		
	7-1a	EPA / CE compliance	Tier 3 / Stage IIIA			Tier 4F / Stage IV		
	7-2	Engine power output according to ISO 1585	hp	kW	155	116	160	119
	7-2-1	Engine power output - Peak	hp	kW	155	116	164	122
	7-3	Governed speed	rpm	1/min	2,300		2,300	
	7-3-1	Engine torque @rpm (1/min)	lb-ft	N-m	440 @ 1500	597 @ 1,500	460 @ 1500	624 @ 1,500
	7-4	Number of cylinders / displacement	# / in ³	# / cm ³	6 / 409	6 / 6,690	4 / 272	4 / 4,500
		Turbocharger	Type	Wastegate			Variable geometry, water cooled	
	7-8	Alternator output	Amps	120			120	
	7-9	Electrical system voltage	V	24			24	
	7-10	Battery voltage, rated capacity	V / Ah	24 / 102			24 / 102	
	DRIVE	8-1	Drive control / Transmission	Type / #	Powershift Transmission			
		8-2	Transmission manufacturer / type	Type / #	ZF / WG161			
8-4		Transmission speeds forward / backward	#	3 / 3				
8-5		Coupling	Type	Torque Converter				
8-6		Wheel drive / drive axle manufacturer / type	Type / #	Kessler / D61				
8-11		Service brake	Type	Oil immersed (wet) disc				
8-12	Parking brake	Type	Spring applied, dry disc on drive axle					
MISC	10-1	Operating pressure for attachments	psi	l	3,263	22.5	3,263	22.5
	10-2	Oil volume for attachments	gal/min	l/min	26.4	100	26.4	100
	10-3	Hydraulic tank capacity	gal	l	35.7	135	35.7	135
	10-4	Fuel tank capacity	gal	l	27.5	104	27.5	104
	10-4-1	DEF tank capacity	gal	l	NA	NA	5	19
	10-5	Steering design	Hydraulic power steering			Hydraulic power steering		
10-6	Number of steering rotation				4.5		4.5	


Notes:

Specifications are affected by the condition of the vehicle and how it is equipped, as well as the nature and condition of the operating area. Inform your dealer of the nature and condition of the intended operating area when purchasing your Yale® truck.

- (1) Travel speed laden/unladen limited at 15.5 mph / 25 km/h as factory default
- (2) T4 engine based on low mount exhaust.

All capacities are according to EN1459.

All specifications and capacities are valid for trucks equipped with a Yale® container handling spreader for handling ISO containers.

 **Safety:** This truck conforms to the current EU and ANSI requirements.

Notice:

Care must be exercised when handling elevated loads. Operators must be trained and must read, understand and follow the instructions contained in the Operating Manual.

All values are nominal values and they are subject to tolerances. For further information, please contact the manufacturer.

Yale products are subject to change without notice.

Lift trucks illustrated may feature optional equipment. Values may vary with alternative configurations.

CERTIFICATION: Yale lift trucks meet the design and construction requirements of B56.1-1969, per OSHA Section 1910.178(a)(2), and also comply with the B56.1 revision in effect at time of manufacture. Certification of compliance with the applicable ANSI standards appears on the lift truck. Performance specifications are for a truck equipped as described under Standard Equipment on this Technical Guide. Performance specifications are affected by the condition of the vehicle and how it is equipped, as well as by the nature, condition of the operating area, proper service and maintenance of the vehicle. If these specifications are critical, the proposed application should be discussed with your dealer.

NOTE: Specifications, unless otherwise listed, are for a standard truck without optional equipment.

Specification data is based on VDI 2198.

RATED CAPACITY LB - GDP190-210DF @ 24 IN LOAD CENTER

2 stage NFL	4-4 Lift height TOF		4-4 Lift height BOF		4-2 Overall lowered height		4-5 Overall extended height		Mast max roller lap (retracted) (variable lap) 'l_max'		Mast max roller lap (extended) (variable lap) 'l_max'		Mast weight		Standard Pin Type carriage				Apron Pin Type carriage				QD DFSSFP Carriage			
															GDP190DF		GDP210DF		GDP190DF		GDP210DF		GDP190DF		GDP210DF	
	in	mm	in	mm	in	mm	in	mm	in	mm	in	mm	lb	kg	lb	kg	lb	kg	lb	kg	lb	kg	lb	kg	lb	kg
128	3,250	125	3,175	119	3006.5	181	4,594	98	2,488	36	900	4,140	1,878	19,000	8,620	21,000	9,530	19,000	8,620	21,000	9,530	18,500	8,390	20,500	9,300	
137	3,500	134	3,425	124	3131.5	191	4,844	103	2,613	36	900	4,264	1,934	19,000	8,620	21,000	9,530	19,000	8,620	21,000	9,530	18,500	8,390	20,500	9,300	
147	3,750	144	3,675	129	3256.5	201	5,094	108	2,738	36	900	4,387	1,990	19,000	8,620	21,000	9,530	19,000	8,620	21,000	9,530	18,500	8,390	20,500	9,300	
157	4,000	154	3,925	134	3381.5	211	5,344	113	2,863	36	900	4,513	2,047	19,000	8,620	21,000	9,530	19,000	8,620	21,000	9,530	18,500	8,390	20,500	9,300	
177	4,500	174	4,425	143	3631.5	231	5,844	123	3,113	36	900	4,760	2,159	19,000	8,620	21,000	9,530	19,000	8,620	21,000	9,530	18,500	8,390	20,500	9,300	
187	4,750	184	4,675	148	3756.5	240	6,094	128	3,238	36	900	4,956	2,248	19,000	8,620	21,000	9,530	19,000	8,620	21,000	9,530	18,500	8,390	20,500	9,300	
196	5,000	193	4,925	153	3881.5	250	6,344	132	3,363	36	900	5,079	2,304	19,000	8,620	21,000	9,530	19,000	8,620	21,000	9,530	18,500	8,390	20,500	9,300	
216	5,500	213	5,425	163	4131.5	270	6,844	142	3,613	36	900	5,560	2,522	18,600	8,320	20,600	9,320	18,600	8,220	20,500	9,200	18,300	8,300	20,200	9,160	

RATED CAPACITY LB - GDP230DFS / GDP230DF @ 24 IN LOAD CENTER

2 stage NFL	4-4 Lift height TOF		4-4 Lift height BOF		4-2 Overall lowered height		4-5 Overall extended height		Mast max roller lap (retracted) (variable lap) 'l_max'		Mast max roller lap (extended) (variable lap) 'l_max'		Mast weight		Standard Pin Type carriage				Apron Pin Type carriage				QD DFSSFP Carriage			
															GDP230DFS		GDP230DF		GDP230DFS		GDP230DF		GDP230DFS		GDP230DF	
	in	mm	in	mm	in	mm	in	mm	in	mm	in	mm	lb	kg	lb	kg	lb	kg	lb	kg	lb	kg	lb	kg	lb	kg
108	2,750	105	2,675	119	3,007	171	4,344	98	2,488	45	1,150	4,209	1,909	23,000	10,430	23,000	10,430	23,000	10,430	23,000	10,430	22,500	10,200	22,500	10,200	
118	3,000	115	2,925	124	3,132	181	4,594	103	2,613	45	1,150	4,339	1,968	23,000	10,430	23,000	10,430	23,000	10,430	23,000	10,430	22,500	10,200	22,500	10,200	
128	3,250	125	3,175	129	3,257	191	4,844	108	2,738	45	1,150	4,464	2,025	23,000	10,430	23,000	10,430	23,000	10,430	23,000	10,430	22,500	10,200	22,500	10,200	
137	3,500	134	3,425	134	3,382	201	5,094	113	2,863	45	1,150	4,597	2,085	23,000	10,430	23,000	10,430	23,000	10,430	23,000	10,430	22,500	10,200	22,500	10,200	
147	3,750	144	3,675	139	3,507	211	5,344	118	2,988	45	1,150	4,727	2,144	23,000	10,430	23,000	10,430	23,000	10,430	23,000	10,430	22,500	10,200	22,500	10,200	
157	4,000	154	3,925	143	3,632	221	5,594	123	3,113	45	1,150	4,850	2,200	23,000	10,430	23,000	10,430	23,000	10,430	23,000	10,430	22,500	10,200	22,500	10,200	
177	4,500	174	4,425	153	3,882	240	6,094	133	3,363	45	1,150	5,179	2,349	23,000	10,430	23,000	10,430	23,000	10,430	23,000	10,430	22,500	10,200	22,500	10,200	
187	4,750	184	4,675	158	4,007	250	6,344	138	3,488	45	1,150	5,309	2,408	23,000	10,430	23,000	10,430	23,000	10,430	23,000	10,430	22,500	10,200	22,500	10,200	
196	5,000	193	4,925	163	4,132	260	6,594	143	3,613	45	1,150	5,670	2,572	23,000	10,430	23,000	10,430	23,000	10,430	23,000	10,430	22,500	10,200	22,500	10,200	
216	5,500	213	5,425	173	4,382	280	7,094	153	3,863	45	1,150	5,926	2,688	22,600	10,250	22,600	10,250	22,600	10,250	22,600	10,250	22,200	9,980	22,200	10,070	
236	6,000	233	5,925	183	4,632	299	7,594	162	4,113	45	1,150	6,184	2,805	22,300	10,110	22,200	10,070	22,200	10,070	22,100	10,020	21,000	9,530	21,700	9,840	
246	6,250	243	6,175	188	4,757	309	7,844	167	4,238	45	1,150	6,314	2,864	22,100	10,020	22,000	9,980	21,900	9,930	21,900	9,930	18,800	8,530	20,100	9,120	
255	6,500	252	6,425	193	4,882	319	8,094	172	4,363	45	1,150	6,444	2,923	21,900	9,930	21,800	9,900	21,700	9,840	21,700	9,840	16,800	7,620	18,100	8,210	
275	7,000	272	6,925	202	5,132	339	8,594	182	4,613	45	1,150	6,700	3,039	21,400	9,700	21,400	9,700	21,200	9,610	21,100	9,570	13,200	5,990	14,400	6,530	

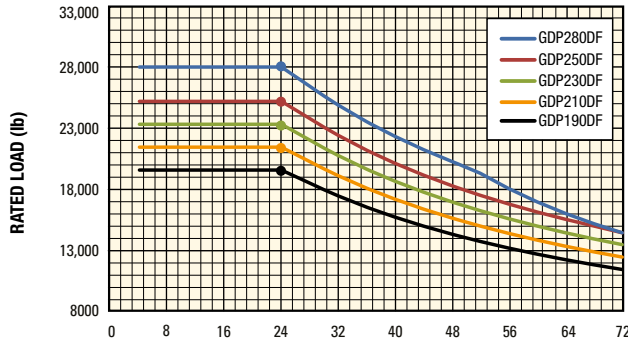
RATED CAPACITY LB - GDP250DF / GDP280DF @ 24 IN LOAD CENTER

2 stage NFL	4-4 Lift height TOF		4-4 Lift height BOF		4-2 Overall lowered height		4-5 Overall extended height		Mast max roller lap (retracted) (variable lap) 'l_max'		Mast max roller lap (extended) (variable lap) 'l_max'		Mast weight		Standard Pin Type carriage				Apron Pin Type carriage				QD DFSSFP Carriage			
															GDP250DF		GDP280DF		GDP250DF		GDP280DF		GDP250DF		GDP280DF	
	in	mm	in	mm	in	mm	in	mm	in	mm	in	mm	lb	kg	lb	kg	lb	kg	lb	kg	lb	kg	lb	kg	lb	kg
108	2,750	105	2,675	119	3,007	172	4,344	98	2,488	45	1,150	4,209	1,909	25,000	11,340	28,000	12,700	25,000	11,340	28,000	12,700	24,500	11,100	27,500	12,500	
118	3,000	115	2,925	124	3,132	181	4,594	103	2,613	45	1,150	4,339	1,968	25,000	11,340	28,000	12,700	25,000	11,340	28,000	12,700	24,500	11,100	27,500	12,500	
128	3,250	125	3,175	129	3,257	191	4,844	108	2,738	45	1,150	4,464	2,025	25,000	11,340	28,000	12,700	25,000	11,340	28,000	12,700	24,500	11,100	27,500	12,500	
137	3,500	134	3,425	134	3,382	201	5,094	113	2,863	45	1,150	4,597	2,085	25,000	11,340	28,000	12,700	25,000	11,340	28,000	12,700	24,500	11,100	27,500	12,500	
147	3,750	144	3,675	139	3,507	211	5,344	118	2,988	45	1,150	4,727	2,144	25,000	11,340	28,000	12,700	25,000	11,340	28,000	12,700	24,500	11,100	27,500	12,500	
157	4,000	154	3,925	143	3,632	221	5,594	123	3,113	45	1,150	4,850	2,200	25,000	11,340	28,000	12,700	25,000	11,340	28,000	12,700	24,500	11,100	27,500	12,500	
177	4,500	174	4,425	153	3,882	240	6,094	133	3,363	45	1,150	5,179	2,349	25,000	11,340	28,000	12,700	25,000	11,340	28,000	12,700	24,500	11,100	27,500	12,500	
187	4,750	184	4,675	158	4,007	250	6,344	138	3,488	45	1,150	5,309	2,408	25,000	11,340	28,000	12,700	25,000	11,340	28,000	12,700	24,500	11,100	27,500	12,500	
196	5,000	193	4,925	163	4,132	260	6,594	143	3,613	45	1,150	5,670	2,572	25,000	11,340	28,000	12,700	25,000	11,340	28,000	12,700	24,500	11,100	27,600	12,500	
216	5,500	213	5,425	173	4,382	280	7,094	153	3,863	45	1,150	5,926	2,688	24,600	11,160	27,600	12,500	24,600	11,160	27,500	12,500	24,100	10,930	27,000	12,250	
236	6,000	233	5,925	183	4,632	299	7,594	162	4,113	45	1,150	6,184	2,805	24,200	10,980	27,200	12,300	24,100	10,930	27,100	12,300	22,400	10,160	27,000	10,120	
246	6,250	243	6,175	188	4,757	309	7,844	167	4,238	45	1,150	6,314	2,864	24,000	10,890	27,000	12,250	23,900	10,840	26,800	12,150	22,100	10,020	19,900	9,030	
255	6,500	252	6,425	193	4,882	319	8,094	172	4,363	45	1,150	6,444	2,923	23,800	10,800	26,700	12,100	23,600	10,700	26,600	12,070	18,100	8,210	17,700	8,030	
275	7,000	272	6,925	202	5,132	339	8,594	182	4,613	45	1,150	6,700	3,039	23,300	10,570	26,200	11,900	23,100	10,500	26,000	11,800	14,400	6,530	14,000	6,350	

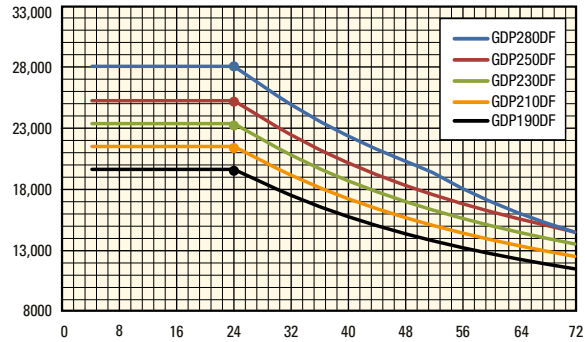
All above capacities are calculated using 48" x 3" x 8" forks

Capacity Ratings

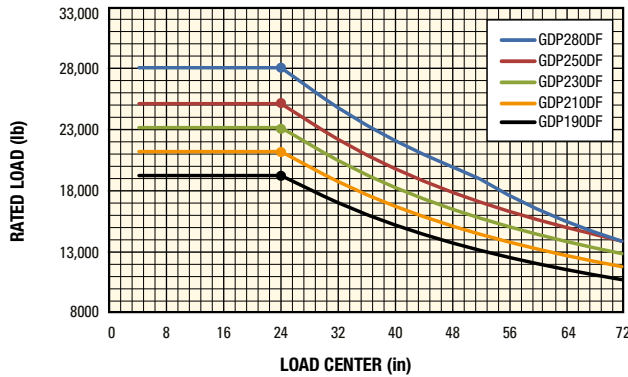
RATED LOAD VS. LOAD CENTER | STD PIN TYPE | U.S. CUSTOMARY



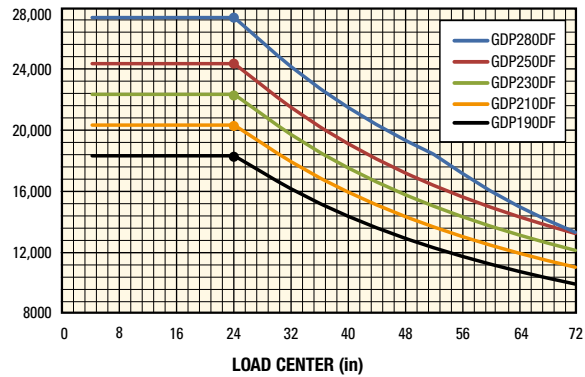
RATED LOAD VS. LOAD CENTER | PIN TYPE WITH FP | U.S. CUSTOMARY



RATED LOAD VS. LOAD CENTER | INTEGRAL & APRON FP | U.S. CUSTOMARY



RATED LOAD VS. LOAD CENTER | DFSSFP | U.S. CUSTOMARY



Conversion Factor: 1.0" = 25.4 mm 1 lb = 0.45 kg

Capacities are calculated using 48" x 3" x 8" forks

Contact your dealer for other capacity information.

Features and Options

PERFORMANCE	STD	OPT
Cummins QSB 4.5L Tier 4F diesel engine 160 hp (119 kW)*	X	
Cummins QSB 4.5L Tier 3/Stage IIIA diesel engine rated 155 hp (116 kW)*	X	
Tier 4 / Stage IV compliant	X	
Tier 3 / Stage IIIA compliant	X	
Wastegate turbocharger, water cooled*	X	
Variable geometry turbocharger, water cooled*	X	
On-demand cooling fan*	X	
120 amp alternator	X	
Performance modes	X	
Powertrain protection system	X	
Heavy duty air intake	X	
Heavy duty air intake (raised)		X
Low mount exhaust (below chassis)*	X	
High mount exhaust		X
ZF Transmission WG161 3-speeds forward / 3-speeds reverse auto-shifting	X	
Kessler D61 drive axle with wet disc brakes	X	
LIFT	STD	OPT
90cc Dual Pump Hydraulic System	X	
111cc Dual Pump Hydraulic System		X
On-Demand Load Sensing Hydraulic System	X	
Automatic Throttle-up when lifting (in neutral or inching)	X	
Variable lap mast for low roller forces*	X	
2 stage Non Free Lift mast	X	
2 Stage Full Free Lift mast		X
3 Stage Full Free Lift mast		X
Mast tilt - 5° Forward / 6° Back		X
Mast tilt - 5° Forward / 12° Back		X
Mast tilt - 15° Forward / 10° Back		X

Mast tilt - 15° Forward / 12° Back	X	
Mast tilt - 20.5° Forward / 7° Back		X
Hydraulic Accumulator		X
Pressure Compensated Lowering	X	
Hydraulic system temperature protection		X
DRIVE	STD	OPT
Speed limiter - unconditional and customer adjustable		X
Travel speed limiter - loaded (adjustable)		X
10.00 - 20 16PR Pneumatic Bias Ply drive and steer tires	X	
10.00 - R20 Michelin XZM Radial drive and steer tires		X
10.00 - R20 Trelleborg Radial drive and steer tires		X
10.00 - 20 Pneumatic Shaped Solid drive and steer tires		X
HANDLING	STD	OPT
Mast Tilt Indicator - Mechanical		X
94.3" (2396mm) Pin type carriage with mechanical fork locks	X	
94.3" (2396mm) Pin type carriage with simultaneous and independent fork positioner		X
94.3" (2396mm) Pin type carriage with simultaneous and independent fork positioner (for lumber applications)		X
94.3" (2396mm) Pin type apron-style sideshift carriage		X
92.5" (2350mm) Pin type apron-style sideshift carriage with simultaneous fork positioner		X
94.3" (2396mm) Pin type apron-style sideshift carriage with simultaneous and independent fork positioner		X
94.3" (2396mm) Pin type apron-style sideshift carriage with simultaneous and independent fork positioner (for lumber applications)		X
94.4" (2398mm) QD Hook type dual function sideshift carriage with simultaneous and independent fork positioner		X
94.4" (2398mm) QD Hook type dual function sideshift carriage with simultaneous fork positioner and 2 auxiliary functions		X
69" (1760mm) High load backrest		X
79" (2010mm) High load backrest		X

98" (2500mm) High load stabilizer (for lumber applications)		X
48" Long x 3" Thick x 7.9" Wide (1220mm x 75mm x 200mm) Forks	X	
Pin type forks (various sizes)		X
Pin type forks for lumber applications		X
Hook type quick disconnect DFSSFP forks (various sizes)		X
ERGONOMICS	STD	OPT
Open operator compartment (without doors & screens)	X	
Enclosed operator cabin		X
Powered tilt operator compartment for service		X
Manual tilt operator compartment for service	X	
Isolated mounting for low noise and vibration	X	
Operator presence system	X	
Mechanical suspension seat	X	
Air suspension seat		X
Deluxe air suspension seat		X
Low backrest seat	X	
High backrest seat		X
Additional armrest on left side	X	
Cloth seat cover		X
Vinyl seat cover	X	
Seat heating		X
Seat ventilation		X
2-point high visibility seatbelt	X	
3-point high visibility seatbelt		X
Lateral seat sliding mechanism		X
Swivel Mechanism for Operator Seat		X
Floor mat	X	
Coat hook	X	
Interior dome light	X	
Front, top and rear wipers		X
"H"-pattern front wiper		X
"I"-pattern front wiper		X
Front and rear window defrosters		X
Laminated glass operator compartment front window		X
Tinted operator compartment windows (all)		X
Tinted operator compartment top window		X
Rain top		X
Plexiglass shield in front of front window		X
Wire mesh installed on top of operator compartment		X
Vertical steel bar front window guard		X
Operator shield wire mesh		X
7" Integrated Performance Display	X	
Touchpoint™ mini levers hydraulic control integrated in Control Arm	X	
Joystick hydraulic control integrated in Control Arm		X
Steering wheel without spinner knob	X	
Steering wheel with spinner knob		X
Directional control lever	X	
Foot Directional Control Pedal		X
Directional Control On Mini-levers or Joystick		X
Park brake - manual	X	
Park brake - automatic		X
Interior wide angle mirrors	X	
Heater with adjustable speed fan		X
Diesel fueled cabin heater		X
Telescoping & tilting steering column	X	
USB outlet inside armrest	X	
24-12 DC converter with 1 socket and 2 USB outlets	X	
24-12 DC converter with 2 sockets and 2 USB outlets		X
Automatic climate control		X
Reading light		X
Sun shades on top and rear		X
Sun visors front window		X
Trainer seat		X
Recirculation fan		X
Additional recirculation fan		X
Accessory Mounting Bar on Cab Front Right Pillar		X

Document holder on Cab Front Right Pillar		X
Heated top- and/or rear window		X
Radio preparation set-up (wiring, two speakers and antenna)		X
VISIBILITY	STD	OPT
Steel bars on top of cab (open operator compartment)	X	
Top window with armoured glass - FOPS certified (enclosed operator cabin)	X	
Steel bars under armoured glass top window (enclosed operator cabin)		X
Exterior mirrors mounted to cab		X
Rear view camera system		X
Radar object detection system		X
Halogen work lights		X
High Performance LED work lights		X
Two head lights mounted on front fenders		X
Four mast mounted work lights		X
Four cabin mounted work lights		X
Two rearward work lights mounted on the cabin		X
LED stop/tail/brake lights	X	
Turn signals, hazard & marker lights (LED)		X
OPERATION	STD	OPT
Electric air horn 105 dBA	X	
Air horn 112 dBA		X
Visible alarm – Amber strobe light, ignition activated		X
Audible alarm – Reverse direction activated 82–102 dB(A), self-adjusting		X
Audible alarm – Reverse direction white noise		X
Forward / reverse motion alarm		X
Blue LED spotlight – rear / front and rear		X
Hydraulic load weighing system		X
Tire pressure monitoring system		X
Automatic climate control shut-off with open door		X
Automatic truck shutdown with timer		X
Preventative maintenance reminder in display		X
Customer CANBUS connection		X
Hydraulic load weighing system		X
Lockable battery disconnect switch		X
Battery jump start connector (NATO plug)		X
Truck Start with key switch and start button	X	
Operator password (display) for Truck Start		X
Seatbelt Interlock for truck start		X
Power distribution group with fuses	X	
Fuses Partially Replaced by Electric Circuit Breakers		X
Non-lockable fuel cap	X	
Lockable fuel cap		X
Diesel fuel inlet strainer in filler neck		X
Yale Vision wireless asset management system	X	
Yale Vision wireless asset management - Access / Verification		X
Yale Vision wireless asset management - Monitoring		X
Auto greasing system for basic truck & outer mast (GDP230DF, GDP250DF & GDP280DF only)		X
24 volt electrical system	X	
Engine block heater 110 & 240 volt		X
Steer wheel lug nut protection		X
Front mud flaps		X
Rear mud flaps		X
Lifting eyes - 2 front and 2 rear		X
Wire mesh belly pan		X
Wire mesh and plates belly pan		X
SUPPLEMENTAL	STD	OPT
Literature package	X	
Operator's manual	X	
CE certification		X
U.L. Label - Standard Construction	X	
Warranty: 12 Months / 2,000 Hours Parts & Labor manufacturer's warranty	X	

*Standard or optional in selected markets. Other options available through Special Products Engineering Department (SPED). Contact your local Yale® dealer for details.

Range of 2 stage NFL masts



Range of Pin type and Hook TYPE forks



94.3" Pin Type standard Carriage



Front End Equipment

**94.3" Pin Type Carriage with Simultaneous and Independent Fork Positioner
(for lumber applications)**



94.3" Pin Type Carriage with Simultaneous and Independent Fork Positioner



94.3" Pin Type Integral Sideshift FRAME Carriage




**94.3" QD Hook Type Dual Function Sideshift with
Simultaneous and Independent Fork Positioner**





YALE MATERIALS HANDLING CORPORATION • P.O. Box 7367, Greenville, NC 27835-7367

www.yale.com Manufactured in our own ISO 9001 and 14001 Registered Facilities

Yale is a Registered Trademark and  is a Registered Copyright. ©Yale Materials Handling Corporation 2020. All Rights Reserved.

Truck performance may be affected by the condition of the vehicle, how it is equipped and the application. Consult your Yale® Industrial Truck Dealer if any of the information shown is critical to your application. Specifications are subject to change without notice. CERTIFICATION: Yale lift trucks meet the design and construction requirements of B56.1-1969, per OSHA Section 1910.178(a)(2), and also comply with the B56.1 revision in effect at time of manufacture. Certification of compliance with the applicable ANSI standards appears on the lift truck.

2275-2J 1/2020 Trucks may be shown with optional equipment.